

# THE SCOUT™ POOL LIFT

US PATENT NO. D507,769 S

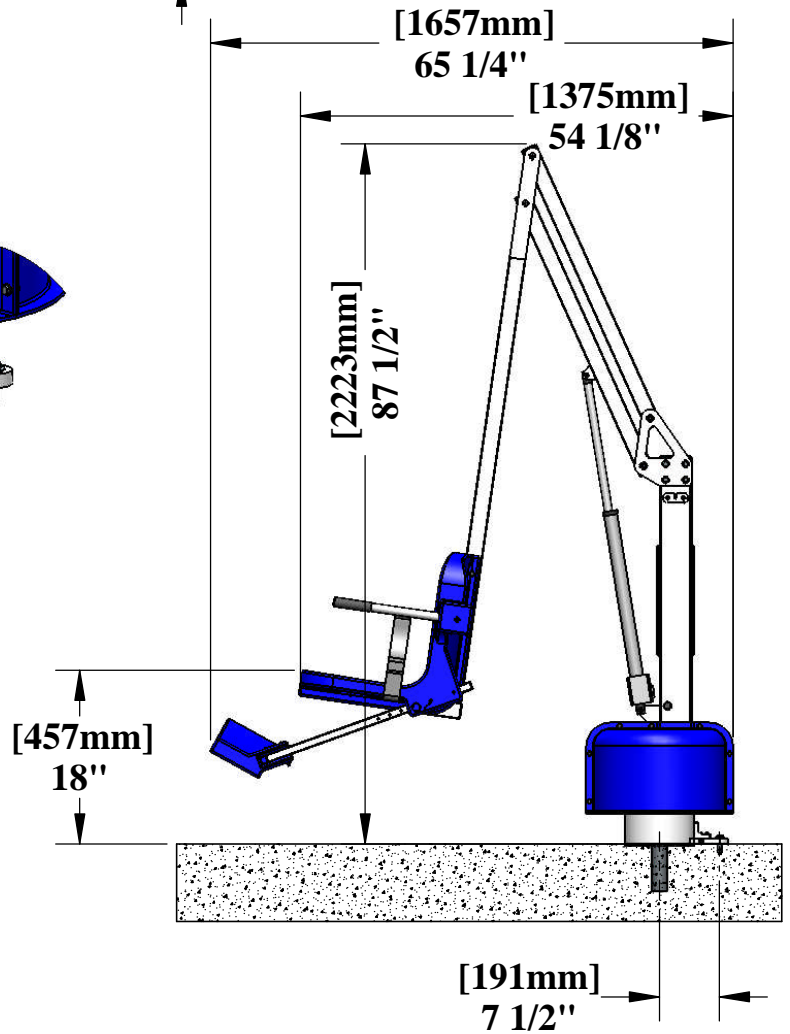
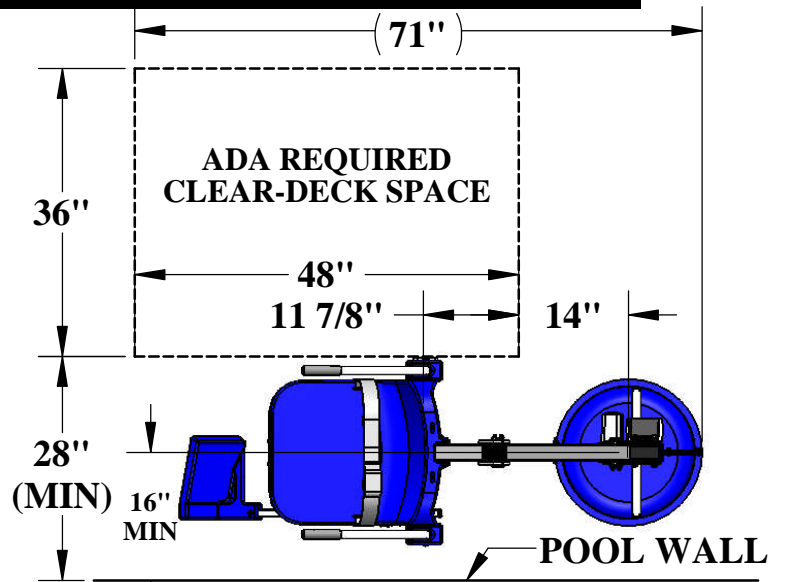
FLIP-UP  
ARMRESTS

SAFETY  
BELT

FOOTREST

Ø 1.9" X 6" POST

FIXING ANCHOR



Inspected And Verified To Meet  
Applicable Sections of ADA  
Guidelines Section 1009.2 By

**wyle**  
laboratories

A Registered ISO 9001  
Laboratory

9889 GARRYMORE LANE  
MISSOULA, MT 59808  
(406) 549-0769  
FAX (406) 549-2602

NOTE:  
\*SPECIFICATIONS ARE SUBJECT TO CHANGE WITHOUT NOTICE

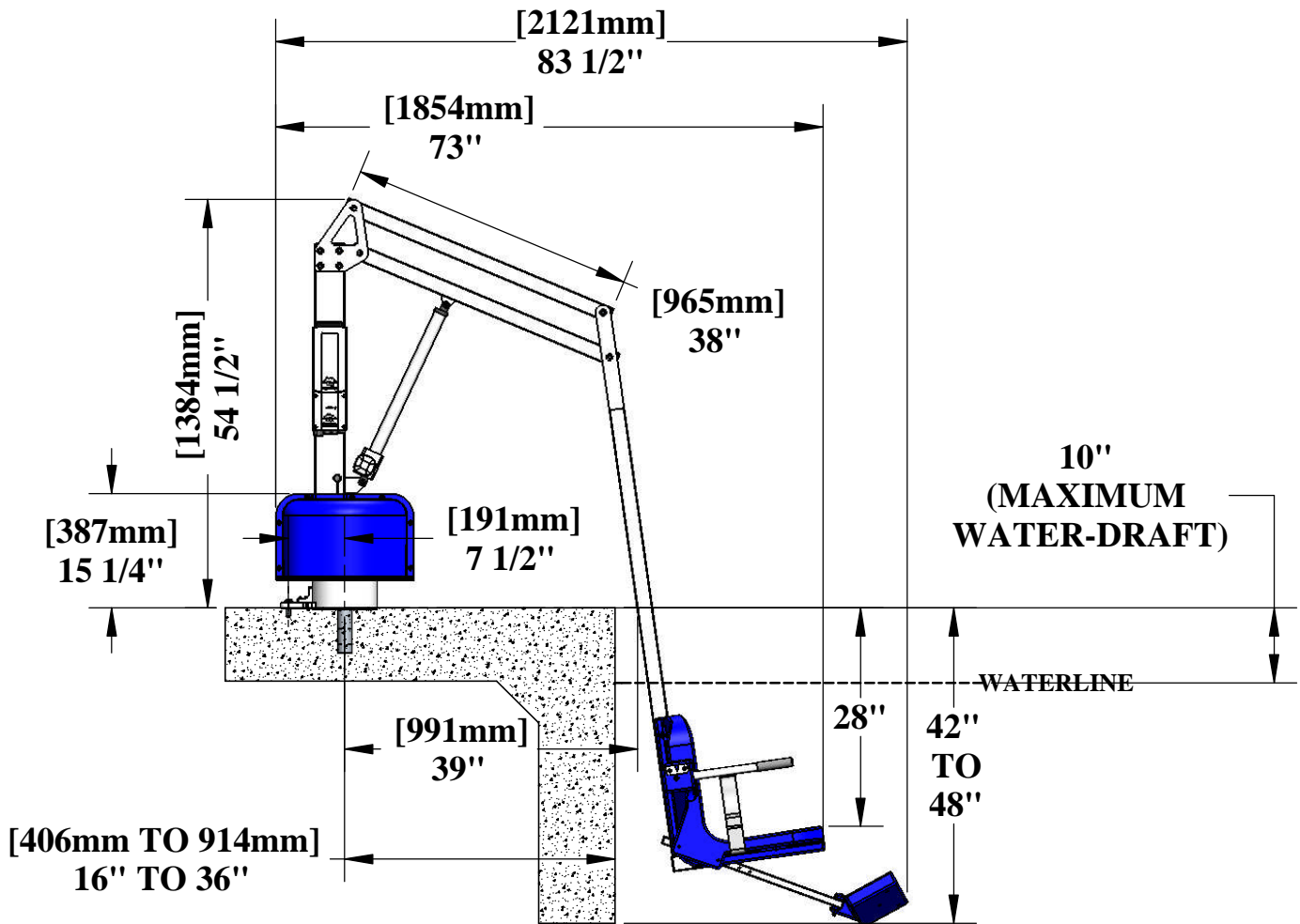
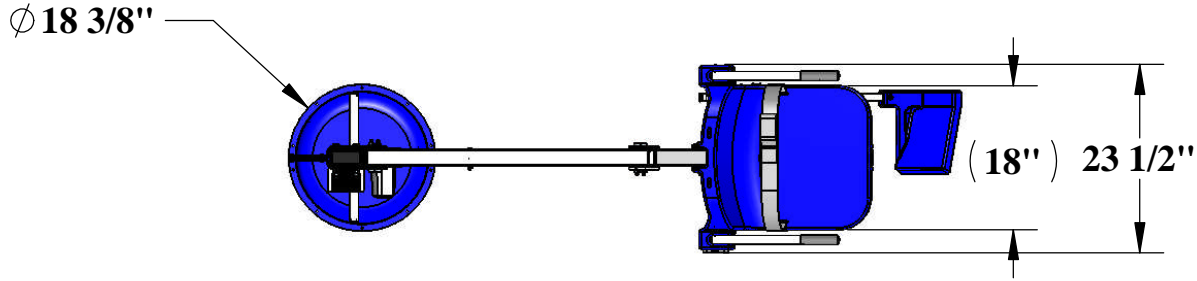
PRODUCT:	F-800SC-DER-D	
DWG #:	F-800SC-DER-D-1	
SCALE:	1:24	DATE: 5/7/13
DRAWN BY:	DS	REVISION: G

**Aqua Creek Products**

The Total Solution for Pool and Spa Access

# THE SCOUT™ POOL LIFT

US PATENT NO. D507,769 S



**Aqua Creek Products**  
 The Total Solution for Pool and Spa Access

9889 GARRYMORE LANE  
 MISSOULA, MT 59808  
 (406) 549-0769  
 FAX (406) 549-2602

NOTE:  
 \*SPECIFICATIONS ARE SUBJECT TO CHANGE WITHOUT NOTICE

PRODUCT:	<b>F-800SC-DER-D</b>	
DWG #:	<b>F-800SC-DER-D-2</b>	
SCALE:	<b>1:24</b>	DATE: <b>5/7/13</b>
DRAWN BY:	<b>DS</b>	REVISION: <b>G</b>

# THE SCOUT™ POOL LIFT

US PATENT NO. D507,769 S

## SPECIFICATIONS:

\*LIFTING CAPACITY: 350lbs [159kg]  
STATIC LOAD CAPACITY: 525 lbs [238kg]

MAXIMUM WATER DRAFT (DECK TO WATER): 10" [254mm]  
MAXIMUM SETBACK: 36" [914mm]

WEIGHT: 175 lbs [79 kg]

### MATERIALS:

BASE: TYPE 304 STAINLESS STEEL, PVC, CONCRETE, RUBBER  
MAST & ARMS: TYPE 304 STAINLESS STEEL  
CHAIR & FOOTREST: LOW-DENSITY POLYETHYLENE  
SAFETY BELT: HEAVY-DUTY POLYESTER STRAP, HOOK & LOOK FASTENER  
POWDER COATING: EPOXY, APPLIANCE WHITE  
FIXING ANCHOR-TAB: HIGH-DENSITY POLYETHYLENE  
FIXING BOLT:  $\phi$  1/2"-13 X 2", 316 SS

### STANDARD EQUIPMENT:

DUAL FLIP-UP ARMRESTS  
FLIP-UP FOOTREST  
18" WIDE CHAIR

24V BATTERY & CHARGER  
WATERPROOF HANDSET/REMOTE  
SAFETY BELT

### AVAILABLE OPTIONS:

$\phi$  1.9" ID X 6" BRONZE ANCHOR, SCOUT  
HEADREST ASSEMBLY  
PULLOUT LEGREST  
COVER (NON-LOCKABLE)  
COVER (LOCKABLE)  
TRANSPORT CART

### PART NUMBER

F-808SA  
F-722HRR  
F-105LAR  
F-450SC  
F-450SC-AC  
F-814SCTC

### ANCHOR ADAPTERS:

"SPLASH"	(2-1/2" SQUARE)	F-820
"LIFEGUARD"	(2-1/2" ID)	F-822
"ELKHORN"	(2-3/8" ID)	F-824
"HOYER"	(2-5/8" ID)	F-826

\*NOTE: LIFTING CAPACITY IS 300lbs [136kg] WITH ANCHOR ADAPTERS



The Total Solution for Pool and Spa Access

9889 GARRYMORE LANE  
MISSOULA, MT 59808  
(406) 549-0769  
FAX (406) 549-2602

NOTE:  
\*SPECIFICATIONS ARE SUBJECT TO CHANGE WITHOUT NOTICE

PRODUCT:	F-800SC-DER-D	
DWG #:	F-800SC-DER-D-3	
SCALE:	1:1	DATE: 5/7/13
DRAWN BY:	DS	REVISION: G