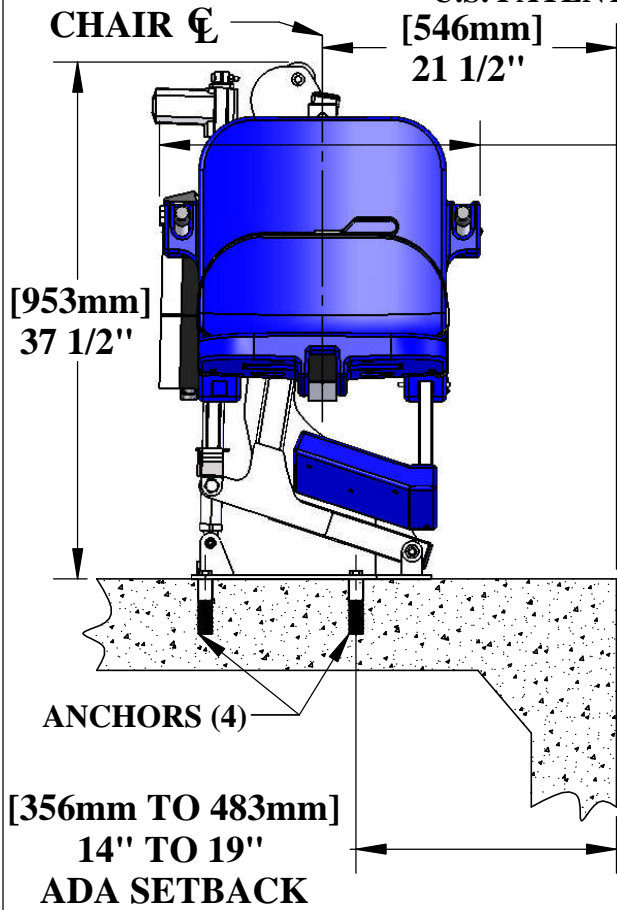
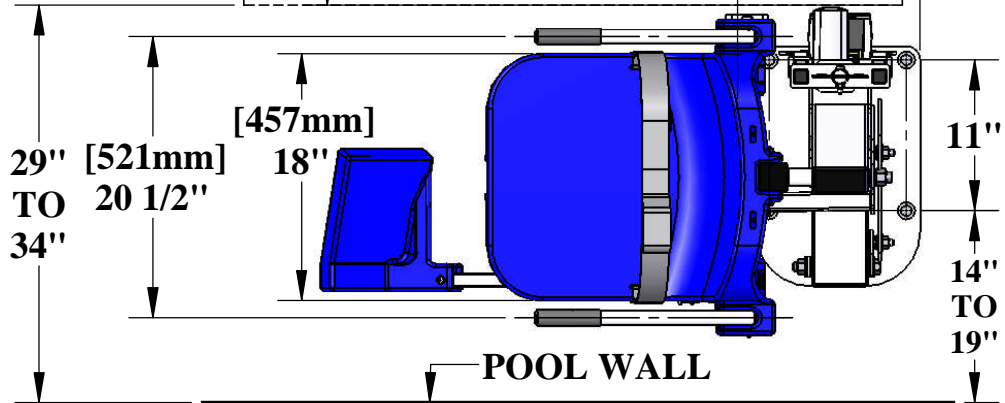
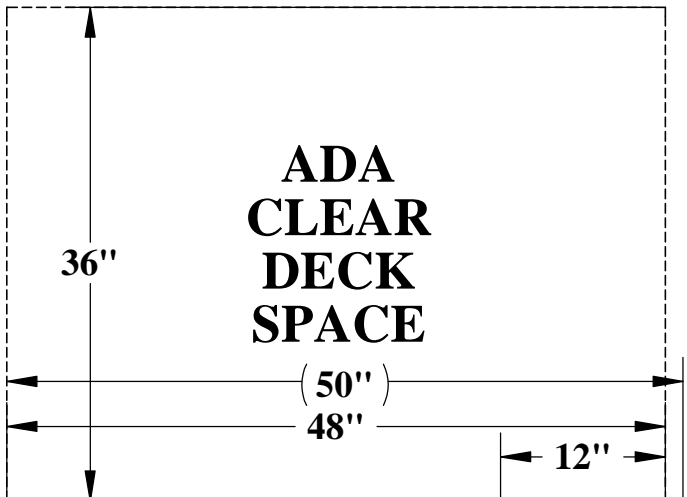
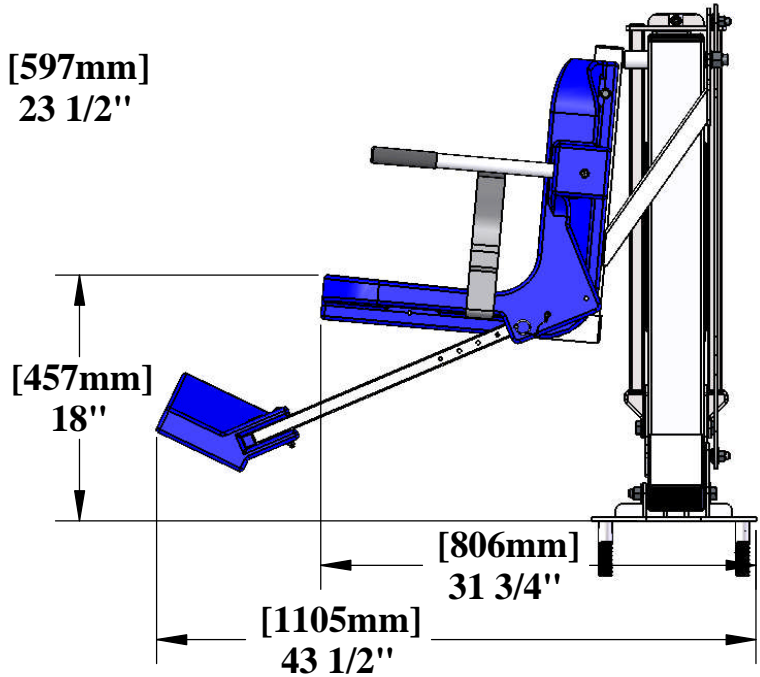


# RANGER-AT™ POOL LIFT

U.S. PATENT NO'S: [7,249,386 B2] [D507,769 S]



**FRONT VIEW**



Inspected And Verified To Meet  
Applicable Sections of ADA  
Guidelines Section 1009.2 By

**wyle**  
laboratories

A Registered ISO 9001  
Laboratory

**Aqua Creek Products**

The Total Solution for Pool and Spa Access

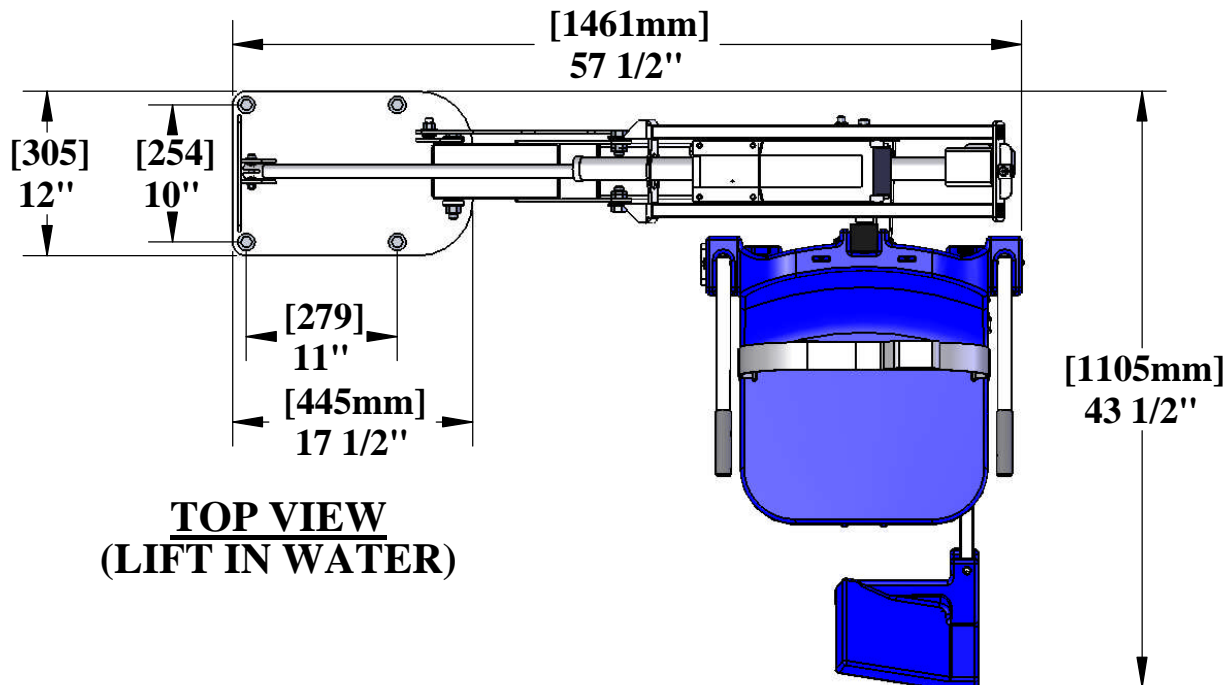
9889 GARRYMORE LANE  
MISSOULA, MT 59808  
(406) 549-0769  
FAX (406) 549-2602

NOTE:  
\*SPECIFICATIONS ARE SUBJECT TO CHANGE WITHOUT NOTICE

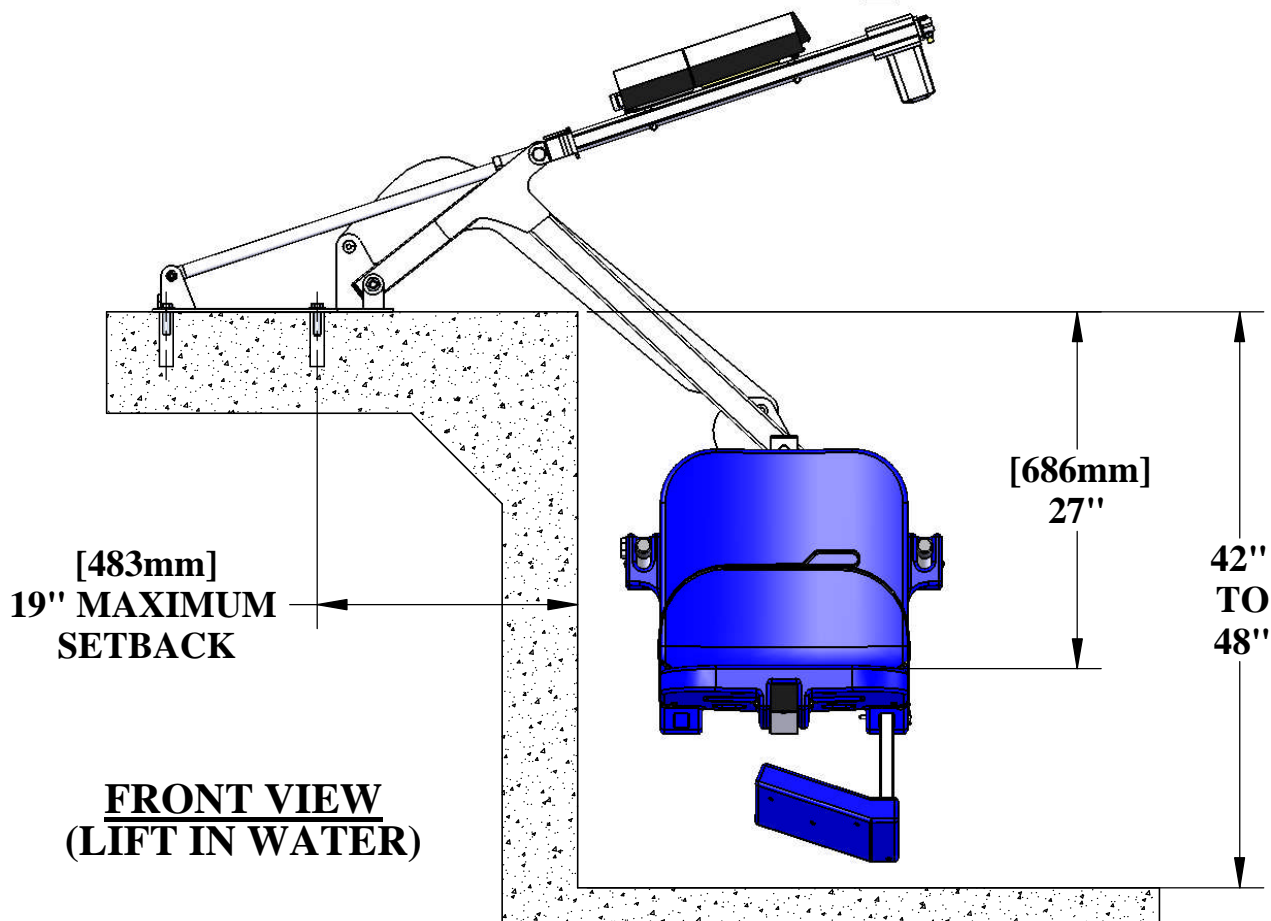
PRODUCT:	F-411RPL-AT1	
DWG #:	F-411RPL-AT1-1	
SCALE:	1:14	DATE: 3/26/13
DRAWN BY:	DS	REVISION: B

# RANGER-AT™ LIFT

U.S. PATENT NO'S: [7,249,386 B2] [D507,769 S]



**TOP VIEW  
(LIFT IN WATER)**



**FRONT VIEW  
(LIFT IN WATER)**

9889 GARRYMORE LANE  
MISSOULA, MT 59808  
(406) 549-0769  
FAX (406) 549-2602

NOTE:  
\*SPECIFICATIONS ARE SUBJECT TO CHANGE WITHOUT NOTICE

PRODUCT:	F-411RPL-AT1	
DWG #:	F-411RPL-AT1-2	
SCALE:	1:14	DATE: 3/26/13
DRAWN BY:	DS	REVISION: B

