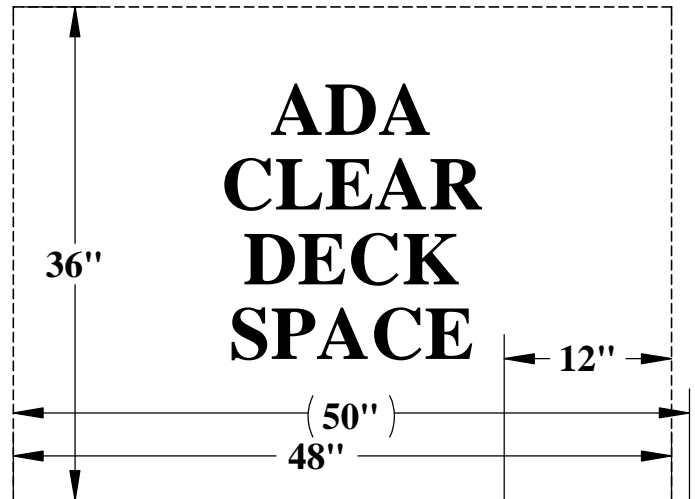
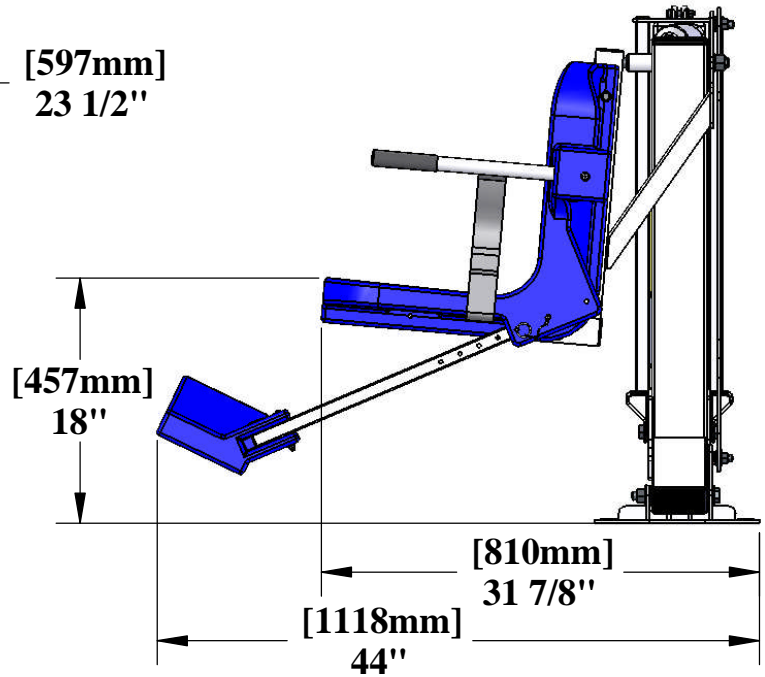
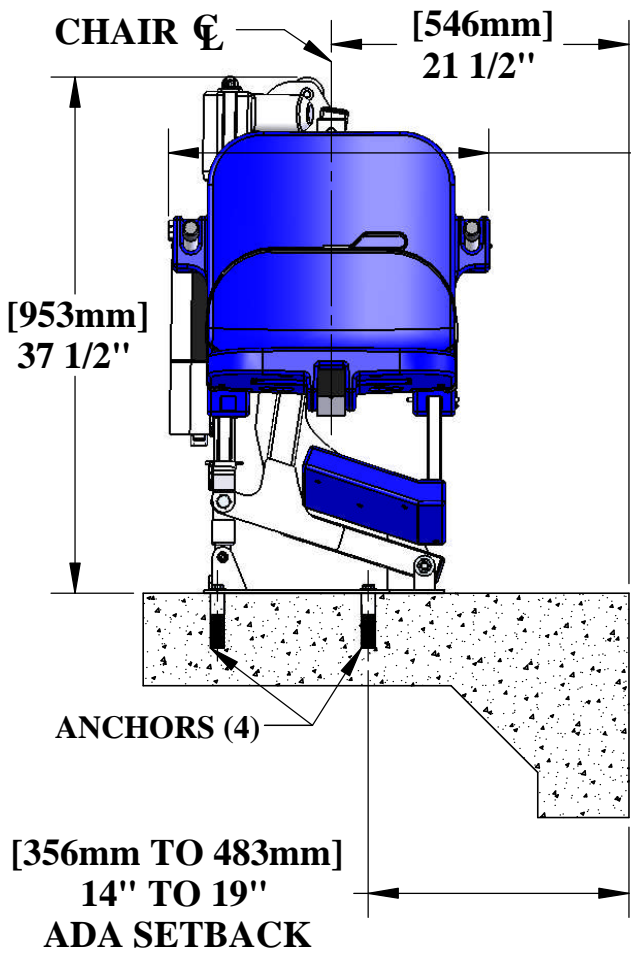


PRO POOL-AT™ POOL LIFT

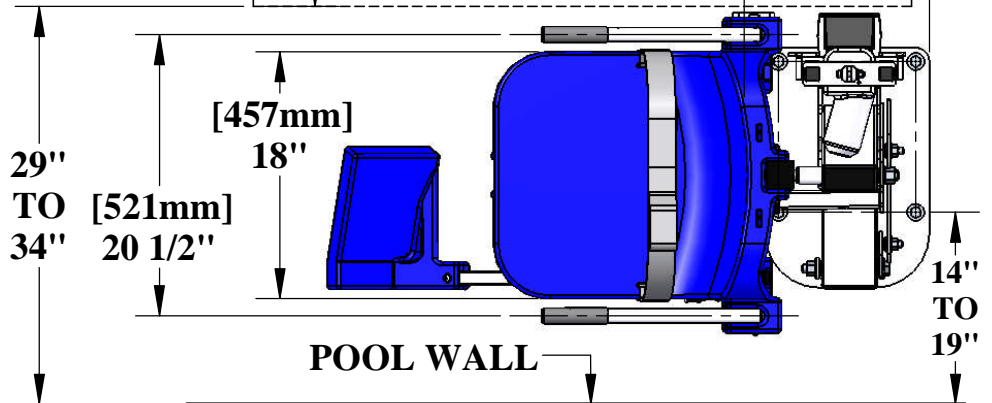
U.S. PATENT NO'S: [7,249,386 B2] [D507,769 S]



Inspected And Verified To Meet
Applicable Sections of ADA
Guidelines Section 1009.2 By

wyle
laboratories

A Registered ISO 9001
Laboratory



9889 GARRYMORE LANE
MISSOULA, MT 59808
(406) 549-0769
FAX (406) 549-2602

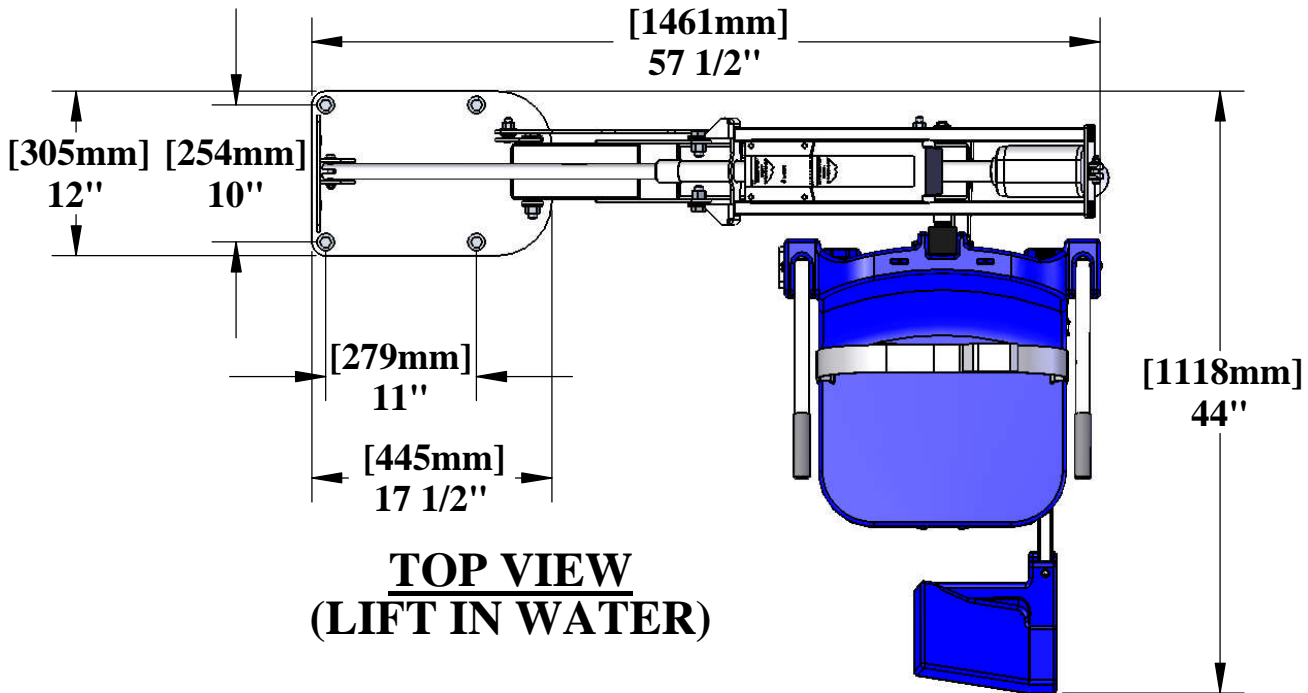
NOTE:
*SPECIFICATIONS ARE SUBJECT TO CHANGE WITHOUT NOTICE

PRODUCT:	F-004PLB-AT1	
DWG #:	F-004PLB-AT1-1	
SCALE:	1:24	DATE: 3/26/13
DRAWN BY:	DS	REVISION: B

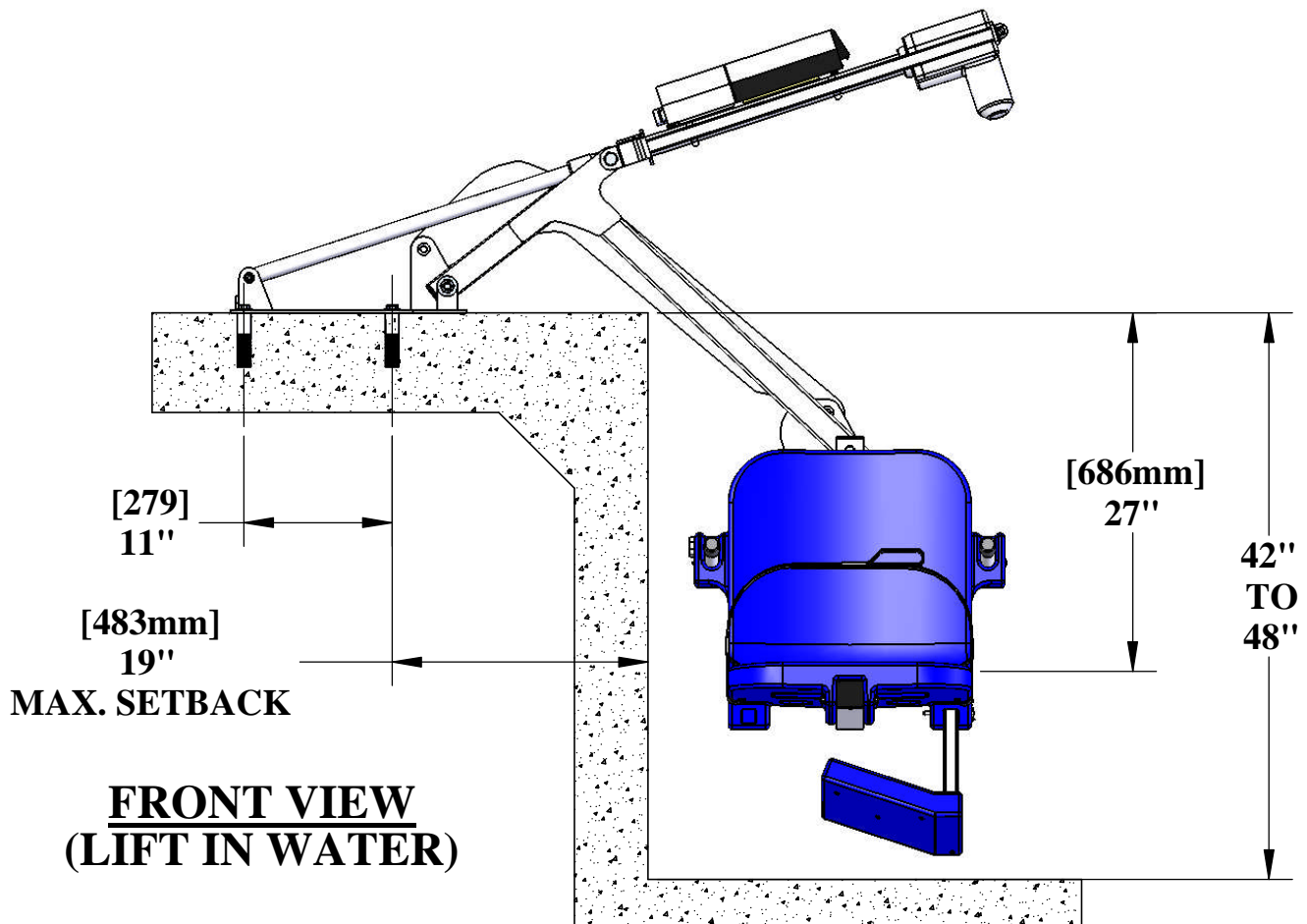
Aqua Creek Products
The Total Solution for Pool and Spa Access

PRO POOL -AT™ POOL LIFT

U.S. PATENT NO'S: [7,249,386 B2] [D507,769 S]



**TOP VIEW
(LIFT IN WATER)**



**FRONT VIEW
(LIFT IN WATER)**

9889 GARRYMORE LANE
MISSOULA, MT 59808
(406) 549-0769
FAX (406) 549-2602

NOTE:
*SPECIFICATIONS ARE SUBJECT TO CHANGE WITHOUT NOTICE

PRODUCT:	F-004PLB-AT1	
DWG #:	F-004PLB-AT1-2	
SCALE:	1:24	DATE: 3/26/13
DRAWN BY:	DS	REVISION: B



Aqua Creek Products
The Total Solution for Pool and Spa Access

PRO POOL -AT™ POOL LIFT

U.S. PATENT NO'S: [7,249,386 B2] [D507,769 S]

SPECIFICATIONS:

LIFTING CAPACITY: 450 lbs [204 kg]
STATIC LOAD CAPACITY: 675 lbs [306 kg]

MAX. DRAFT (DECK TO WATER): 9.0" [229mm]
MAX. SETBACK (SEE PAGE 2): 19" [483mm]

OVERALL HEIGHT (MAX): 37-1/2" [953mm]
MAX. WIDTH (DEPLOYED): 43" [1092mm]
MAX. LENGTH (DEPLOYED): 57-1/2" [1461mm]
STOWED LENGTH (MAX): 23-1/2" [597mm]
STOWED WIDTH (NO FOOTREST): 32" [813mm]

WEIGHT: 105lbs [48kg]

MATERIALS:

LIFT FRAME: TYPE 304 STAINLESS STEEL
BASEPLATE: TYPE 304 STAINLESS STEEL
CHAIR & FOOTREST: LLDPE POLYETHYLENE
SAFETY BELT: HEAVY-DUTY POLYESTER STRAP, HOOK & LOOP FASTENER
POWDER COATING: OFF-WHITE EPOXY [FOREST PAINT #1911]

STANDARD EQUIPMENT:

DUAL FLIP-UP ARMRESTS
FLIP-UP FOOTREST
SAFETY BELT
24VDC BATTERY & CHARGER
WATERPROOF HANDSET-REMOTE
4-PT ANCHOR KIT

AVAILABLE OPTIONS:

HEADREST ASSEMBLY (PN: F-422PLH)
PULLOUT LEGREST: (PN: F-105LAR)
COVER, POLYESTER (PN: F-422PPC)
CYCLE ATTACHMENT: (PN: F-019CA)

Inspected And Verified To Meet
Applicable Sections of ADA
Guidelines Section 1009.2 By

wyle
laboratories

A Registered ISO 9001
Laboratory



9889 GARRYMORE LANE
MISSOULA, MT 59808
(406) 549-0769
FAX (406) 549-2602

NOTE:
*SPECIFICATIONS ARE SUBJECT TO CHANGE WITHOUT NOTICE


Aqua Creek Products
The Total Solution for Pool and Spa Access

PRODUCT:	F-004PLB-AT1	
DWG #:	F-004PLB-AT1-3	
SCALE:	1:24	DATE: 3/26/13
DRAWN BY:	DS	REVISION: B