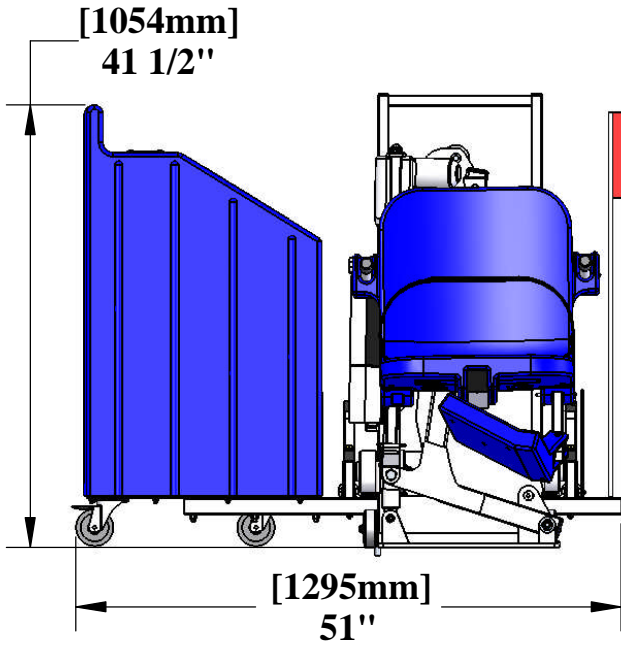
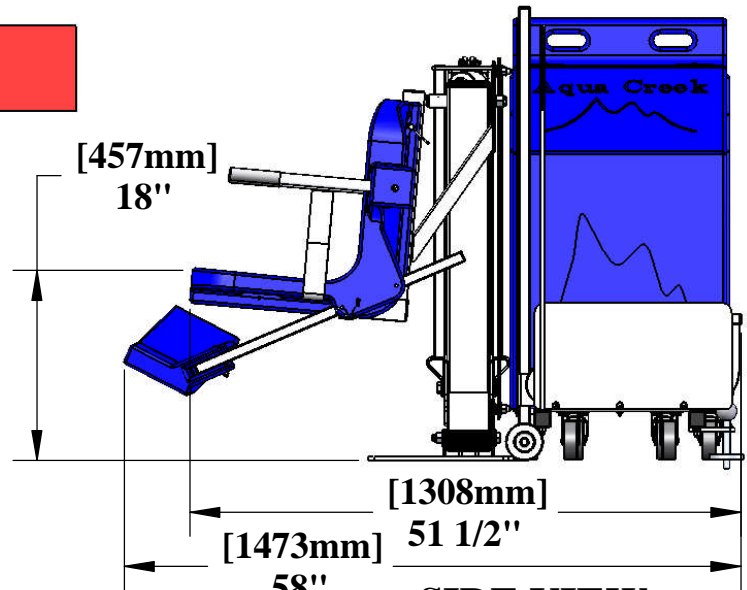


# PATRIOT-AT™ PORTABLE LIFT

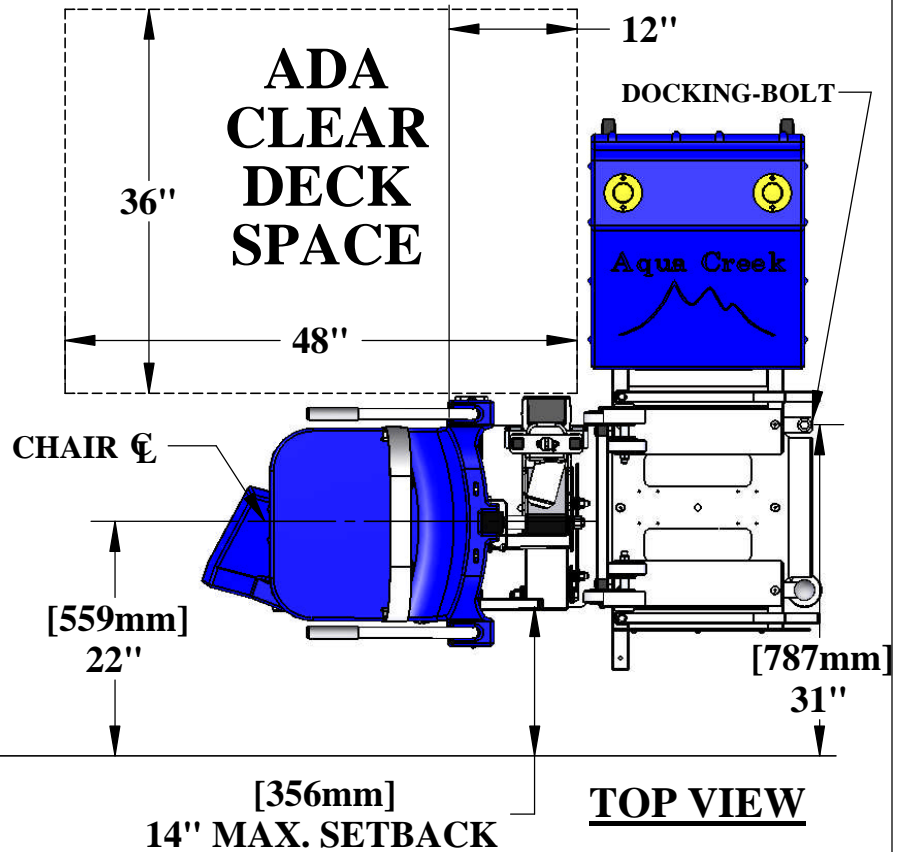
U.S. PATENT NO'S: [7,249,386 B2] [5,790,995] [D507,769 S]



**FRONT VIEW**



**SIDE VIEW**



**DECK**

**POOL**

**TOP VIEW**

Inspected And Verified To Meet  
Applicable Sections of ADA  
Guidelines Section 1009.2 By

**wyle**  
laboratories

A Registered ISO 9001  
Laboratory



The Total Solution for Pool and Spa Access

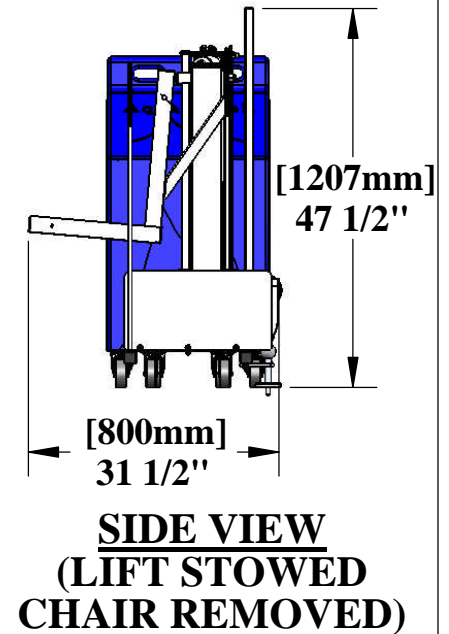
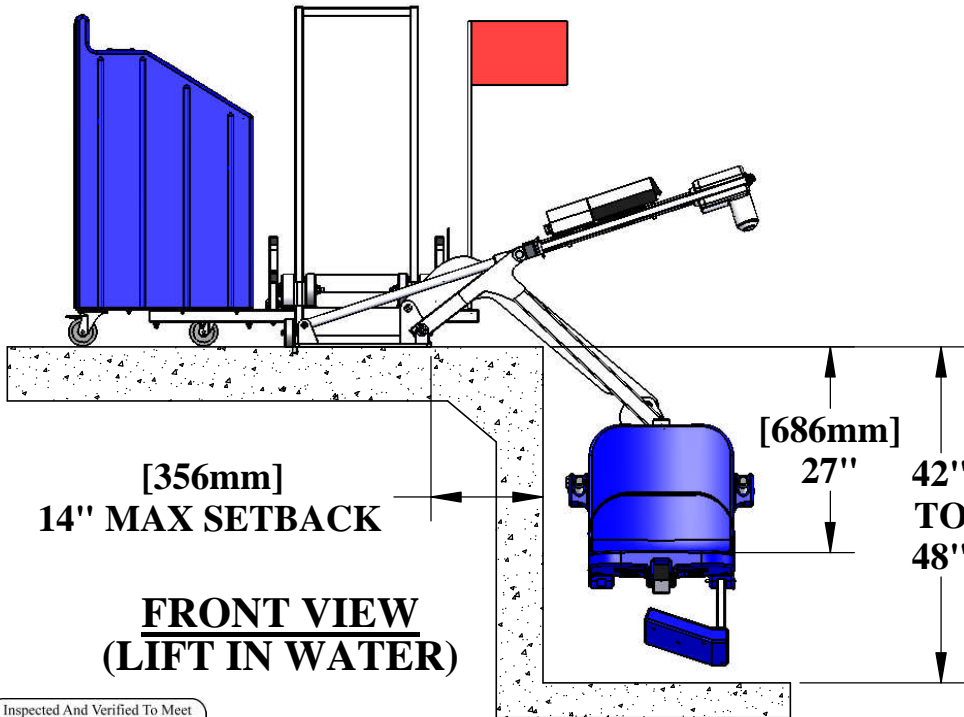
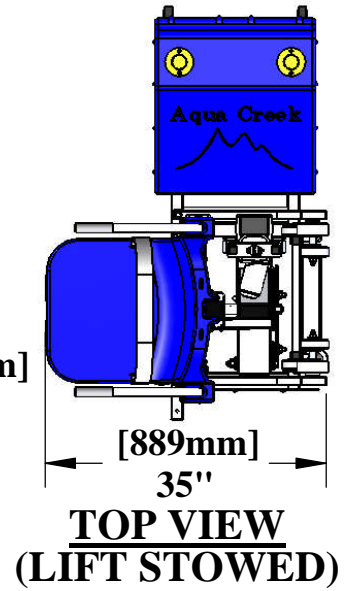
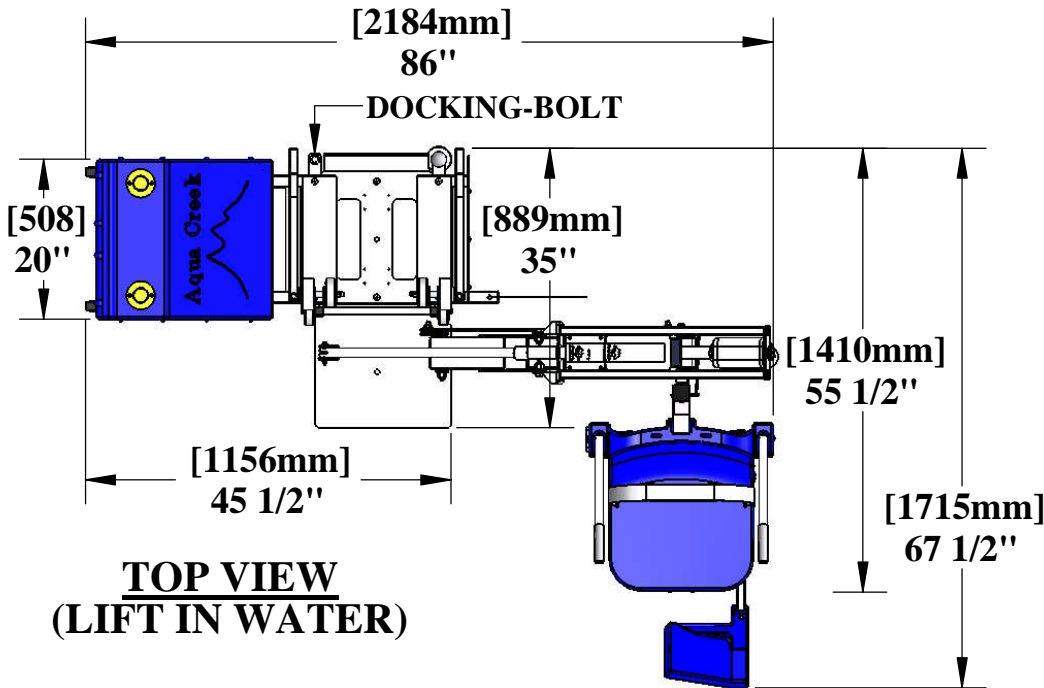
9889 GARRYMORE LANE  
MISSOULA, MT 59808  
(406) 549-0769  
FAX (406) 549-2602

NOTE:  
\*SPECIFICATIONS ARE SUBJECT TO CHANGE WITHOUT NOTICE

PRODUCT:	F-12PPL-HD-AT1	
DWG #:	F-12PPL-HD-AT1-1	
SCALE:	1:24	DATE: 3/25/13
DRAWN BY:	DS	REVISION: B

# PATRIOT-AT™ PORTABLE LIFT

U.S. PATENT NO'S: [7,249,386 B2] [5,790,995] [D507,769 S]



Inspected And Verified To Meet  
Applicable Sections of ADA  
Guidelines Section 1009.2 By

**wyle**  
laboratories  
A Registered ISO 9001  
Laboratory



**Aqua Creek Products**

The Total Solution for Pool and Spa Access

9889 GARRYMORE LANE  
MISSOULA, MT 59808  
(406) 549-0769  
FAX (406) 549-2602

NOTE:  
\*SPECIFICATIONS ARE SUBJECT TO CHANGE WITHOUT NOTICE

PRODUCT:	F-12PPL-HD-AT1	
DWG #:	F-12PPL-HD-AT1-2	
SCALE:	1:24	DATE: 3/25/13
DRAWN BY:	DS	REVISION: B

# PATRIOT-AT™ PORTABLE LIFT

U.S. PATENT NO'S: [7,249,386 B2] [5,790,995] [D507,769 S]

## SPECIFICATIONS:

**LIFTING CAPACITY:** 450 lbs [204 kg]  
**STATIC LOAD CAPACITY:** 675 lbs [306 kg]

**MAX. DRAFT (DECK TO WATER):** 9.0" [229mm]  
**MAX. SETBACK (SEE PAGE 2):** 14" [355mm]  
**MINIMUM SETBACK DISTANCE:** 9.0" [229mm]

**OVERALL HEIGHT (MAX):** 47-1/2" [1207mm]  
**MAX. WIDTH (DEPLOYED):** 63" [1600mm]  
**MAX. LENGTH (DEPLOYED):** 85-1/2" [2172mm]  
**STOWED LENGTH (MAX):** 51" [1295mm]  
**STOWED WIDTH (CHAIR ON):** 35" [889mm]  
**STOWED WIDTH (CHAIR OFF):** 31-1/2" [800mm]

**WEIGHT (BALLAST TANK EMPTY):** 275lbs [125kg]  
**WEIGHT (BALLAST TANK FILLED):** 875lbs [397kg]

### MATERIALS:

**LIFT FRAME:** TYPE 304 STAINLESS STEEL  
**PORTABLE CART:** TYPE 304 STAINLESS STEEL & POLYETHYLENE  
**BALLAST TANK:** LLDPE POLYETHYLENE  
**BALLAST MATERIAL:** MEDIUM-GRAIN SAND (500lbs [227 kg])  
**DOCKING BOLT:**  $\phi$  1/2"-13 X 4", TYPE 316 SS  
**CHAIR & FOOTREST:** LLDPE POLYETHYLENE  
**SAFETY BELT:** HEAVY-DUTY POLYESTER STRAP, HOOK & LOOP FASTENER  
**POWDER COATING:** EPOXY, APPLIANCE WHITE

### STANDARD EQUIPMENT:

**DUAL FLIP-UP ARMRESTS, FLIP-UP FOOTREST, SAFETY BELT**

### AVAILABLE OPTIONS:

**HEADREST ASSEMBLY** (PN: F-422PLH)  
**PULLOUT LEGREST:** (PN: F-105LAR)  
**COVER, LOCKING** (PN: F-12PPC)

Inspected And Verified To Meet  
Applicable Sections of ADA  
Guidelines Section 1009.2 By

**wyle**  
laboratories

A Registered ISO 9001  
Laboratory



9889 GARRYMORE LANE  
MISSOULA, MT 59808  
(406) 549-0769  
FAX (406) 549-2602

NOTE:  
\*SPECIFICATIONS ARE SUBJECT TO CHANGE WITHOUT NOTICE

  
**Aqua Creek Products**

The Total Solution for Pool and Spa Access

PRODUCT:	F-12PPL-HD-AT	
DWG #:	F-12PPL-HD-AT-3	
SCALE:	1:24	DATE: 3/25/13
DRAWN BY:	DS	REVISION: B